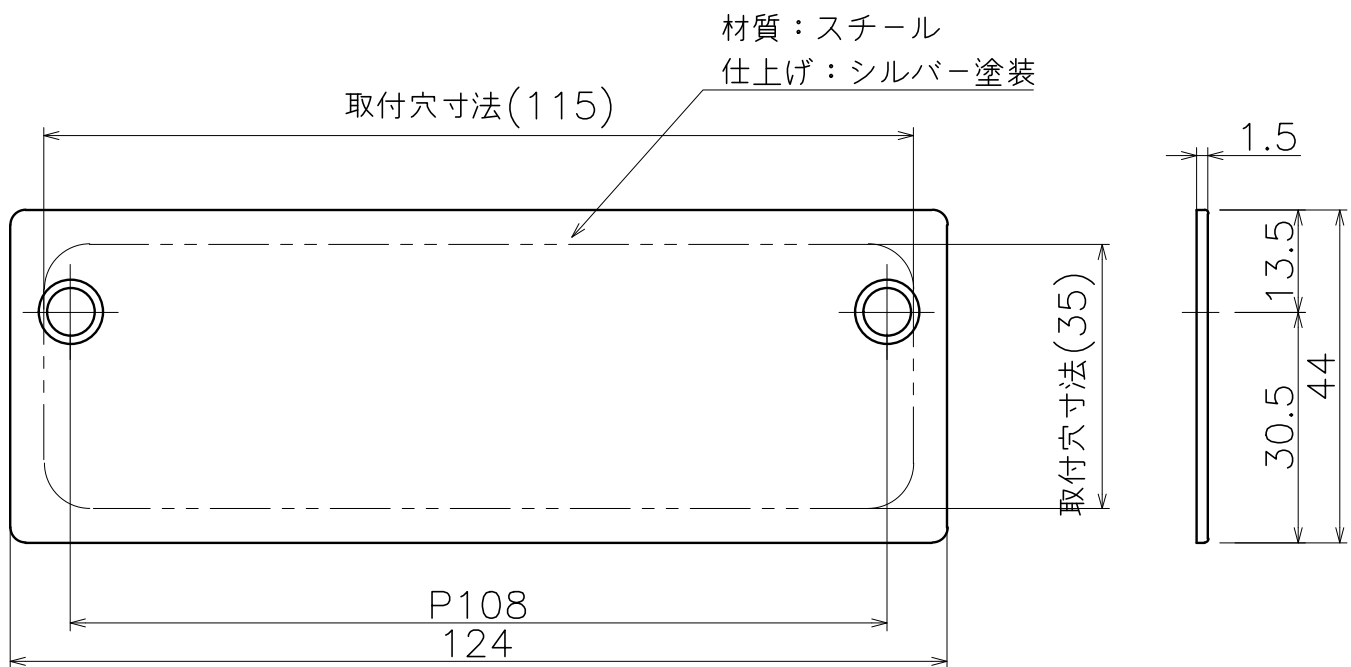


| Ver | Date | Engineering change notice | Dwg | App |
|-----|------------|---------------------------|---------|---------|
| △1 | 2023/06/02 | 新規出図 | KAWAJUN | KAWAJUN |

P-414-CSM



| Product name | Name | Code |
|----------------------------------|------|------------|
| 貫通穴用取付プレート | - | P-414-CSM |
| Mounting plate with through hole | - | Ver01 |
| KAWAJUN 河淳株式会社 | ⊙ □ | Dim Geo |
| | | S= 1:1 外形図 |